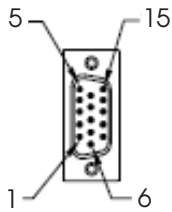


**Ensemble HD Schematic**

---

**A** *Interface Specifications*  
**Audio Input Connector (DB15)**



Pin Assignment	Description
1	Left Ch +
2	Right Ch +
3	Center Ch +
4	Common Gnd
5	N/C
6	Common Gnd
7	Common Gnd
8	Common Gnd

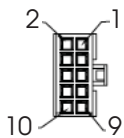
Pin Assignment	Description
9	N/C
10	Common Gnd
11	N/C
12	N/C
13	Surr Left +
14	Surr Right +
15	Sub +
Shell	Chassis safety ground

**B** **Sub Woofer Output Connector (RCA Style)**

Pin: Signal  
 Shield: Signal Ground

Input Voltage (Sub Channel)	Output Voltage (Sub Out)
.85 – 1.25V rms	1.7V – 2.5V rms (6dB Gain Circuit)

**C** **Speaker Output Connector (Molex 10-Conductor)**



Pin Assignment	Description
1	Right Ch +
2	Right Ch -
3	Center Ch +
4	Center Ch -
5	Surr R +

Pin Assignment	Description
6	Surr R-
7	Surr L+
8	Surr L-
9	Left Ch +
10	Left Ch -



Epson strongly recommends that the home theatre system be installed by a professional audio/video installer or other qualified professional. Epson cannot provide advice concerning construction practices or building codes in your area.



Two persons are required to lift the screen onto its mounting brackets. It is recommended that a second person should also assist in performing other parts of the installation, such as mounting the projector and routing wires. Personal injury and/or damage to the equipment could result from dropping or mishandling it.

**D**

**Motorized Screen Control**

AC Input	Main Power (3 wire IEC style, UL/CSA approved)
AC Output	To Projector (3 wire IEC style, UL/CSA approved)
Screen Motor	To Screen Motor (3 wire Molex style)
Projector Control	To Projector (DB15 connector, RS-232 I/F)
AV Remote	To AV Controller (1/8" stereo minijack)
Trigger	
Power LED	To AV Controller (1/8" minijack)
I/R Emitter	To IR receiver/emitter in Ctr spkr (5 pin connector)

**E**

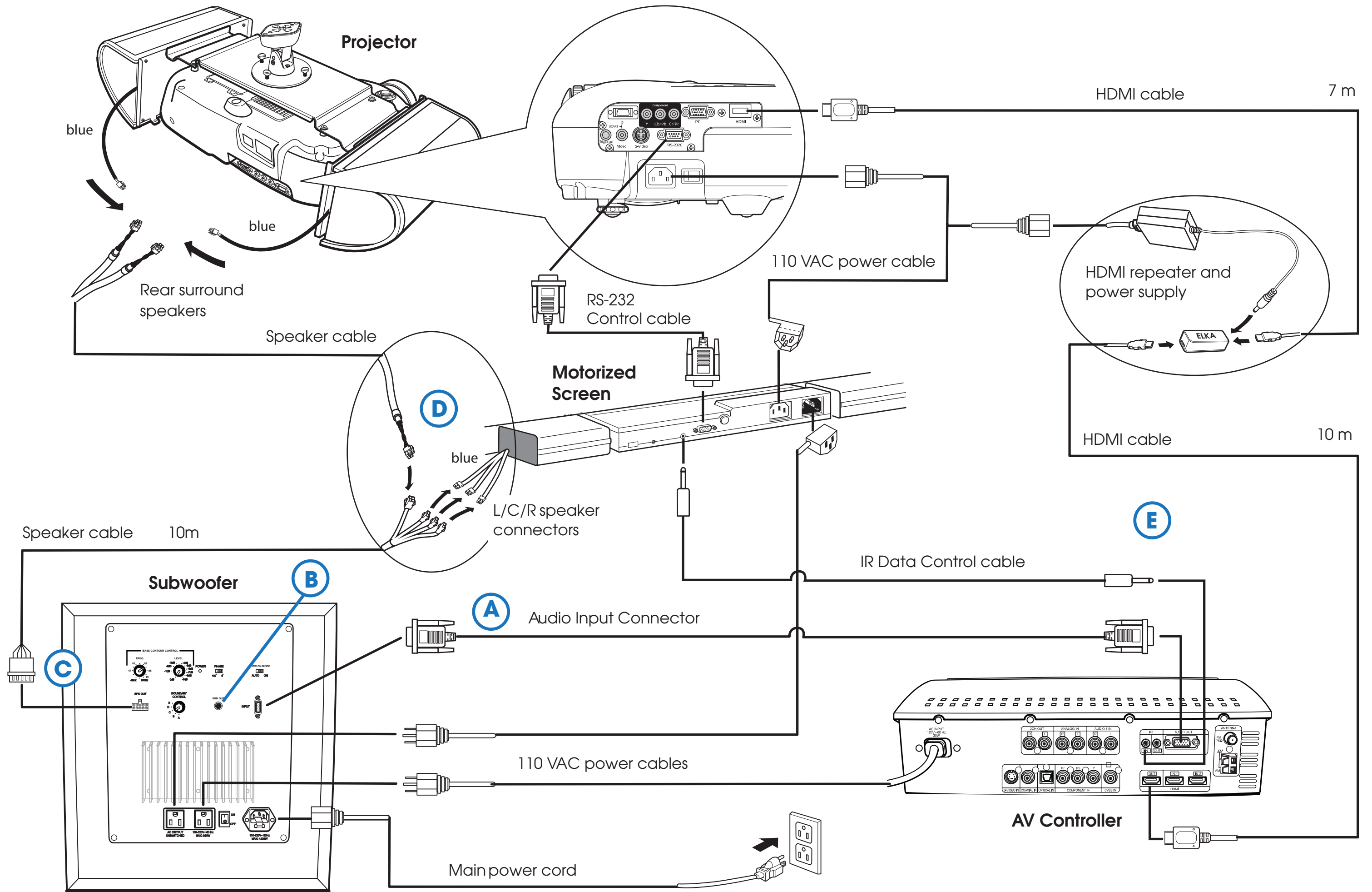
**Cables Color, Length and Quantity**

Item	Color	Length (m)	Pre-Wire Length (m)	Quantity
10-Conductor Speaker Cable	Blue	10	10	1
4-Conductor Speaker Cable	Blue	7	7	1
HDMI Kit	Black	7, 10	10	2
RS-232 Control Cable	Red	7	7	1
IR Data Cable	Red	10	10	1
AC Main Power Jumpers	Green	N/A	1	2
HD15 Cable	N/A	3	N/A	1

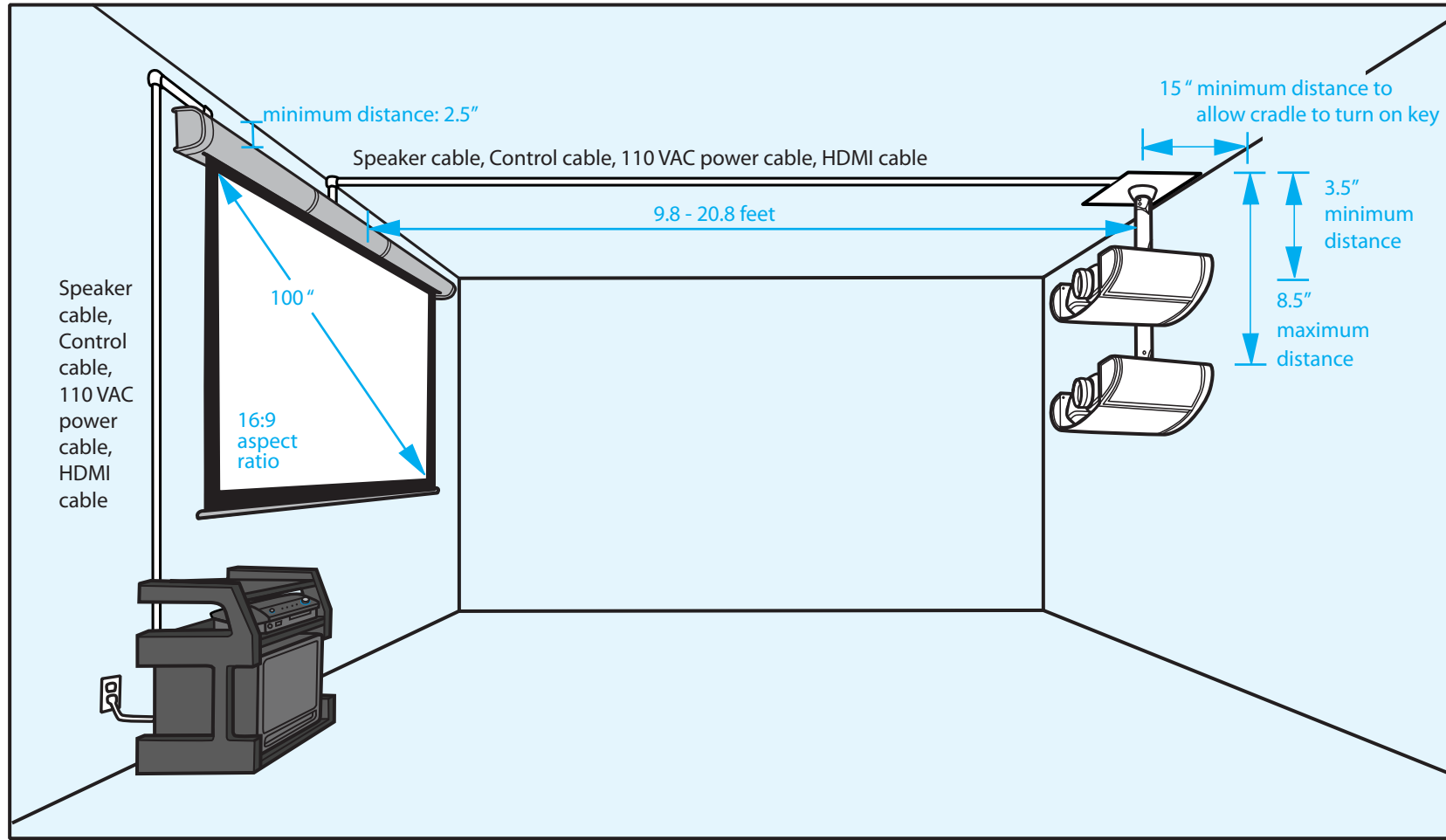
All electrical wiring should be completed by an electrician qualified and licensed to complete work in your region. All work should be certified to ensure that it meets regional codes, safety standards and regulations.

The plenum-rated video cable, speaker cable, and control cable may be routed through the wall and ceiling instead of using the wire management tracks.

**Do not** route the standard 7m and 10m power cables through the wall or ceiling. They are not rated for this purpose. Deliberate mis-installation could result in fire or other safety hazards. Contact a licensed electrician to route electrical wire according to electrical code in your region

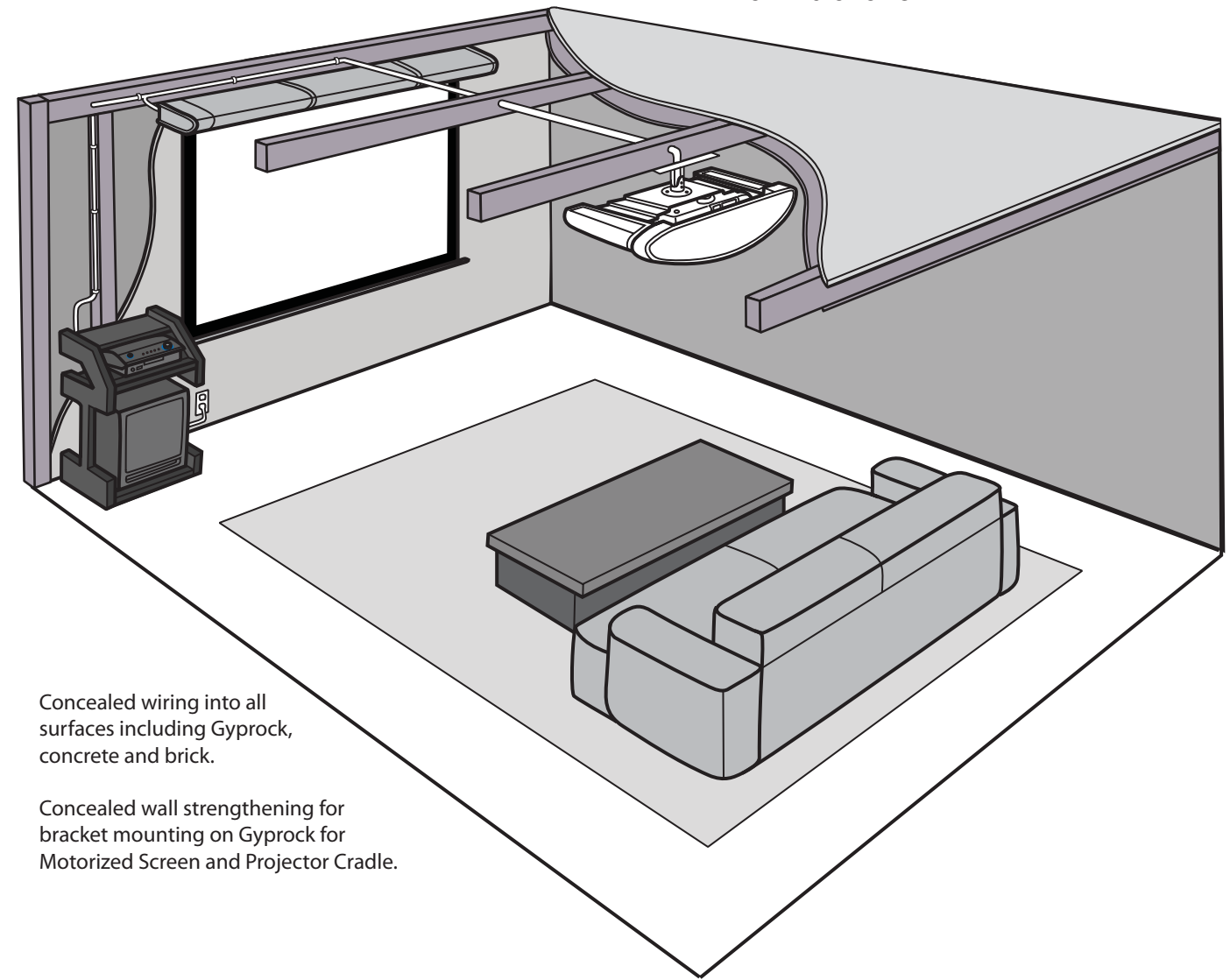


### On Wall Installation

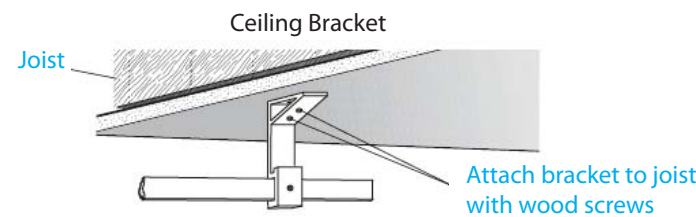
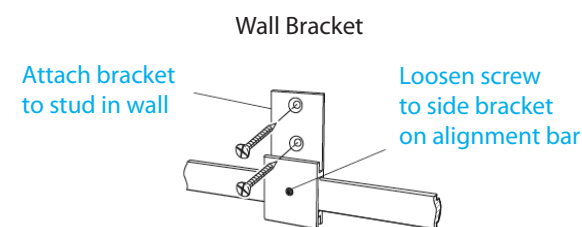
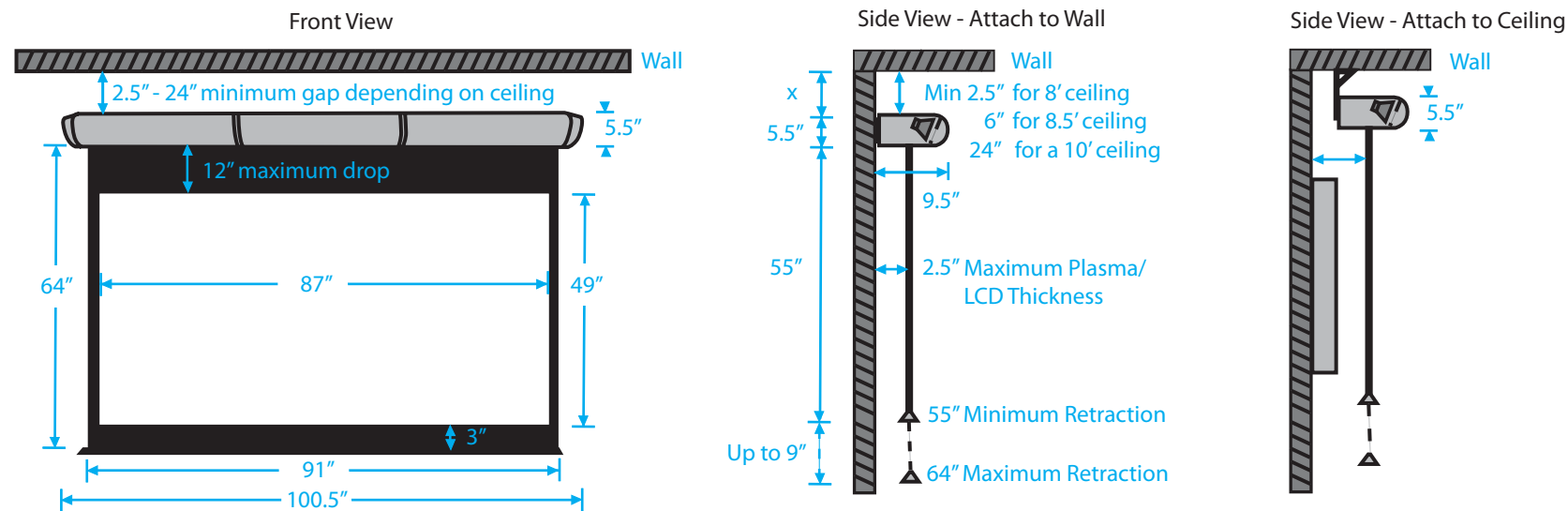


Cables and wiring encased in plastic track along the wall and ceiling

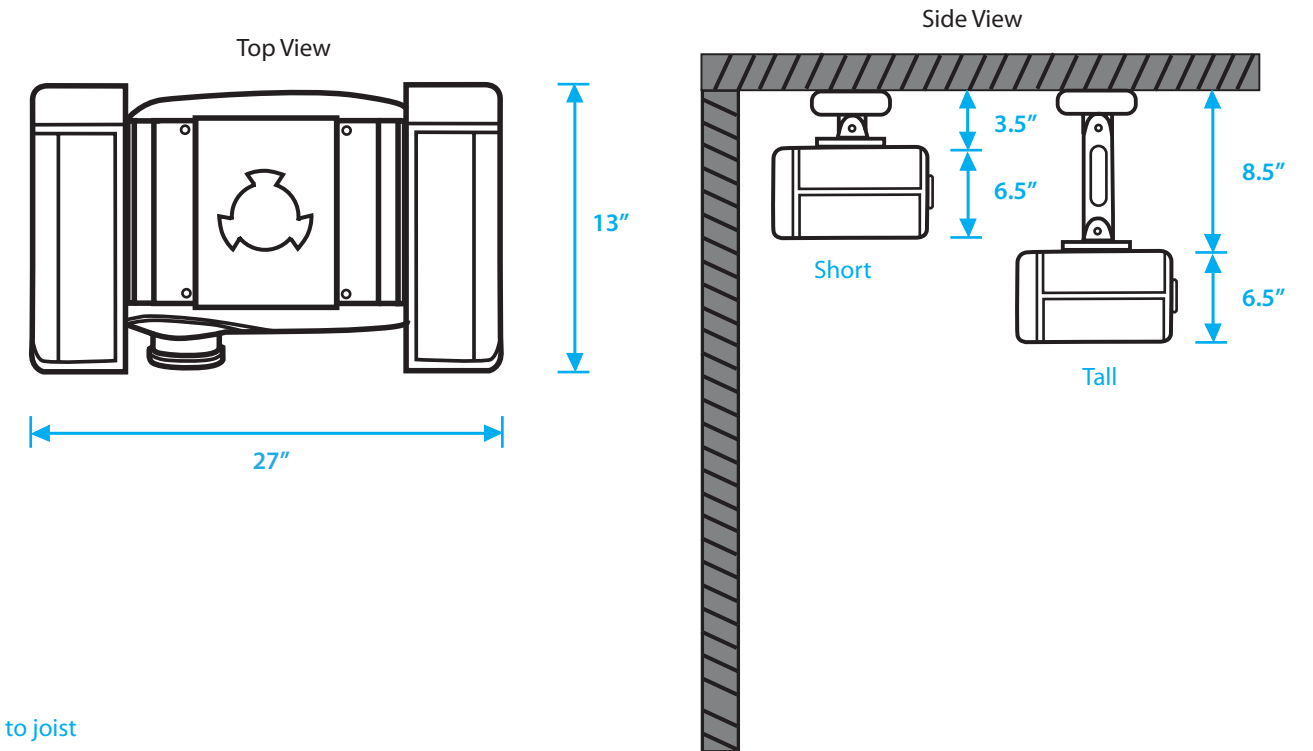
### In Wall Installation



### Motorized Screen Wall Mount



### Cradle Mount



## Important Safety Instructions



**CAUTION:** To reduce the risk of electric shock, do not remove the cover (or back). No user serviceable parts inside. Refer servicing to qualified personnel.

**CAUTION:** These servicing instructions are for use by qualified service personnel only. To reduce the risk of electric shock, do not perform any servicing other than that contained in the operating instructions unless you are qualified to do so.

**WARNING:** To reduce the risk of fire or electric shock, do not expose this apparatus to rain or moisture.



The lightning flash with arrowhead, within an equilateral triangle, is intended to alert the user to the presence of uninsulated “dangerous voltage” within the product’s enclosure that may be of sufficient magnitude to constitute a risk of electrical shock to persons.



The exclamation point within an equilateral triangle is intended to alert the user to the presence of important operating maintenance (servicing) instructions in the literature accompanying the appliance.

1. Read these instructions.
2. Keep these instructions.
3. Heed all warnings.
4. Follow all instructions.
5. Do not use this apparatus near water.
6. Clean only with dry cloth.
7. Do not block any ventilation openings. Install in accordance with the manufacturer’s instructions.
8. Do not install near any heat sources such as radiators, heat registers, stoves, or other apparatus (including amplifiers) that produce heat.
9. Do not defeat the safety purpose of the polarized or grounding-type plug. A polarized plug has two blades with one wider than the other. A grounding type plug has two blades and a third grounding prong. The wide blade or the third prong is provided for your safety. If the provided plug does not fit into your outlet, consult an electrician for replacement of the obsolete outlet.
10. Protect the power cord from being walked on or pinched particularly at plugs, convenience receptacles, and the point where they exit from the apparatus.
11. Only use attachments/accessories specified by the manufacturer.
12. Unplug this apparatus during lightning storms or when unused for long periods of time.

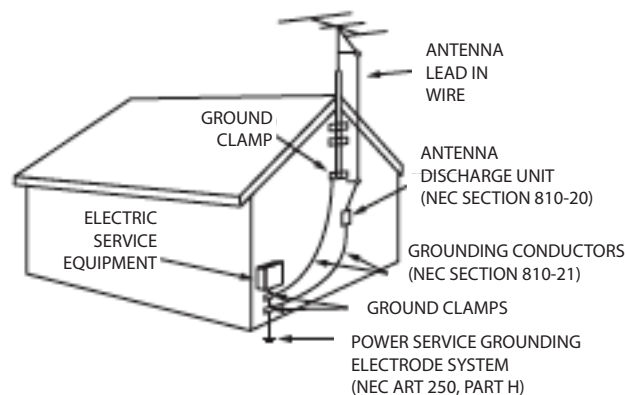
13. Refer all servicing to qualified service personnel. Servicing is required when the apparatus has been damaged in any way, such as power-supply cord or plug is damaged, liquid has been spilled or objects have fallen into the apparatus, the apparatus has been exposed to rain or moisture, does not operate normally, or has been dropped.

## **Additional Safety Instructions**

- Safety measures must be practiced at all times during the installation of the home theater system. Proper installation procedures, as outlined in these instructions, must be adhered to. Failure to do so could result in serious personal injury or death.
- The home theater system should be installed by a professional audio/video installer or other qualified professional. Epson cannot provide advice concerning construction practices or building codes in your area.
- Prior to installing the home theater system, read the installation instructions completely. Keep these instructions in an easily accessible place for future reference.
- Do not attempt to install this system if you have any doubts as to its proper assembly and installation.
- Use proper equipment to prevent personal injury or property damage, such as a ladder for reaching high places or a stud finder to locate the center of studs.
- The included mounting hardware is intended for use with wooden studs/joists or solid concrete construction. The hardware is not intended to secure any part of the system to metal studs, wallboard or plasterboard, or cinder block wall construction.
- Do not attempt to use hollow-wall anchors, screws, or similar mounting hardware to mount the projector or screen to wallboard or plasterboard. The projector and screen cannot be safely mounted like that. You must mount the projector and screen to wooden studs/joists or to a solid concrete surface, as outlined in these instructions.
- When installing the mounting hardware in concrete, verify that the concrete is at least the same depth as the anchors, and that the anchors will not rest against a layer of plasterboard or other material. Concrete must meet ASTM C-90 specifications and be 2000 psi density minimum. Lighter-density concrete may not hold the anchors.
- The wall or ceiling structure on which the screen is mounted must be capable of safely supporting the weight of the screen (approximately 100 pounds). Likewise, the ceiling structure must be capable of safely supporting the weight of the projector assembly (approximately 50 pounds). If the structures cannot support these weights, they must be reinforced.
- When mounting the equipment on a wall or ceiling that contains studs or joists, the exact center of the studs or joists must be confirmed prior to installation.
- Do not install the projector or screen where it may be subject to impact.
- Do not install the projector or screen in direct sunlight or near a heater vent, fireplace, or other source of heat.
- Two persons are required to lift the screen onto its mounting brackets. It is recommended that a second person should also assist in performing other parts of the installation, such as mounting the projector and

routing wires. Personal injury and/or damage to the equipment could result from dropping or mishandling it.

- Make sure the screen is completely closed before placing it on or lifting it off the wall or ceiling mount.
- Do not route the included power cables through the wall or ceiling. They are not rated for this purpose. Deliberate mis-installation could result in fire or other safety hazards. Either route the power cables through the included wire management tracks, or plug them directly into nearby outlets.
- Some of the components included with this system may be packaged in plastic bags. Keep plastic bags away from small children to avoid any risk of suffocation.
- This product should be operated only from the type of power source indicated on the marking label.
- If an outside antenna or cable system is connected to the product, be sure the antenna or cable system is grounded so as to provide some protection against voltage surges and built-up static charges. Article 810 of the National Electrical Code, ANSI/NFPA 70, provides information with regard to proper grounding of the mast and supporting structure, grounding of the lead-in wire to an antenna discharge unit, size of grounding conductors, location of antenna-discharge unit, connection to grounding electrodes, and requirements for the grounding electrode. See the drawing below



An outside antenna system should not be located in the vicinity of overhead power lines or other electric light or power circuits, or where it can fall into such power lines or circuits. When installing an outside antenna system, extreme care should be taken to keep from touching such power lines or circuits as contact with them might be fatal.

- Do not place the components of this system near sources of heat or in direct sunlight.
- Make sure nothing blocks the ventilation openings on any of the components. Allow for sufficient heat dispersion when components are installed on a rack. Do not block or cover the heatsink on the back of the subwoofer.
- Where the mains plug is used as the disconnect device, the disconnect device shall remain readily operable.
- When unplugging the power cord of any system component, handle it carefully. Hold the plug when unplugging the cord.



- This product should be operated only from the type of power source indicated on the marking label. If you are not sure of the type of power supplied in your home, consult your product dealer or local power company.
- Do not overload wall outlets, extension cords, or integral convenience receptacles as this can result in a risk of fire or electric shock.
- Keep the system components free from moisture, water, and dust.
- Do not let insecticides, benzene, or thinner come in contact with any components of the system.
- Never push objects of any kind through openings in the system components as they may touch dangerous voltage points or short-out parts that could result in a fire or electric shock. Never spill liquid of any kind on the product.
- Except as specifically explained in these instructions, do not attempt to service this product yourself. Refer all servicing to qualified service personnel.
- Never disassemble or modify the product in any way. Dangerous electrical voltages inside the components can severely injure you.
- When replacement parts are required, be sure the service technician has used replacement parts specified by the manufacturer or have the same characteristics as the original part. Unauthorized substitutions may result in fire, electric shock, or other hazards.
- When closing the screen, be careful not to pinch your fingers where the screen closes against the case.
- Do not touch the white part of the screen with your hands. Oil from your skin could damage it.
- Never look into the projector lens when the lamp is turned on. The bright light can damage your eyes. Never let children look into the lens when it is on.
- Don't use the projector outside of the required temperature range of 41 to 95 °F (5 to 35 °C). Doing so may cause an unstable display and could lead to projector damage.
- The lamp(s) in this product contain mercury. Please consult your state and local regulations regarding disposal or recycling. Do not put in the trash.
- Allow the projector lamp to cool for one hour before replacing it.

**WARNING:** Handling the cord on this product or cords associated with accessories sold with this product, will expose you to lead, a chemical known to the State of California to cause birth defects or other reproductive harm. Wash hands after handling. (This notice is provided in accordance with Proposition 65 in Cal. Health & Safety Code § 25249.5 and following.)